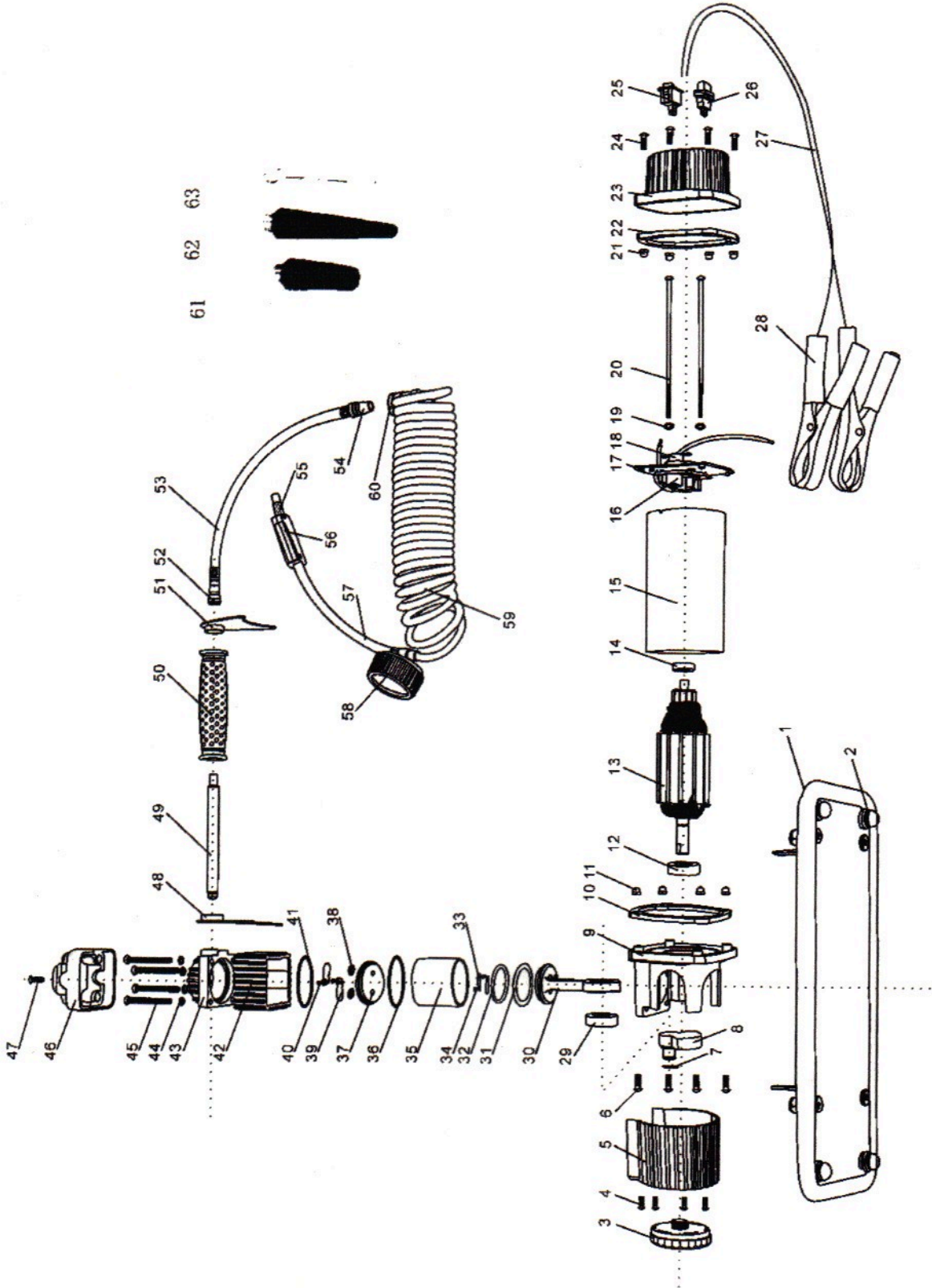


ASSEMBLY DIAGRAM



PARTS LIST

Part	Description	Qty.
1	Base Board	1
2	Pad	4
3	Filter	1
4	Screw 4x8	4
5	Front Cover	1
6	Screw 5x14	4
7	Ring	1
8	Offset Wheel	1
9	Front End Cover	1
10	Decorative Ring	1
11	Nut	4
12	Bearing 6201z	1
13	Armature	1
14	Bearing 608z	1
15	Motor Cover	1
16	Brush Bracket	1
17	Motor Cover Board	1
18	Temperature Controler	1
19	Spring Washer	2
20	Screw 5x150	2
21	Nut	4
22	Decorative Ring	1
23	Rear Cover	1
24	Screw 5x14	4
25	Switch	1
26	Fuse Holder	1
27	Power Cord	1
28	Clamp	2
29	Bearing 6201z	1
30	Shaft	1
31	Piston Ring	1
32	Pressing Ring	1
33	Air Inlet Valve Slice	1
34	Rivet	1
35	Cylinder Liner	1

Part	Description	Qty.
36	Seal Ring	1
37	Air Storage Cap	1
38	Seal Ring	2
39	Air Exhaust	2
40	Rivet	2
41	Seal Ring	1
42	Radiation Cover	1
43	Cylinder Cover 1	1
44	Spring Washer	4
45	Screw 5x50	4
46	Cylinder Cover 2	1
47	Screw 4x12	1
48	Triangle Bracket 1	1
49	Air Hose	1
50	Handle	1
51	Triangle Bracket 2	1
52	Air Hose Connector	1
53	Rubber Hose	1
54	Air Hose Connector	1
55	Air Nozzle	1
56	Air Nozzle Gripe	1
57	Rubber Hose	1
58	Pressure Gauge	1
59	Air Hose	1
60	Quick Connector	1
61	Inflator Nozzle 1	1
62	Inflator Nozzle 2	1
63	Needle Nozzle	1

Accessory List

Part	Description	Function
61	Inflator Nozzle 1	Medium size fill orifice
62	Inflator Nozzle 2	Small size fill orifice
63	Needle Nozzle	Inflate balls
26A	Fuse, Blade Type	Overload Protection